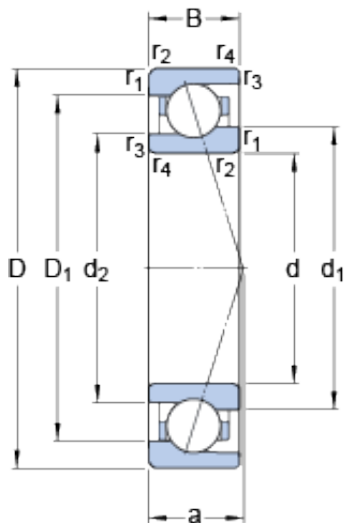




# BEARING CORP. OF AMERICA

120 mm x 165 mm x 22 mm SKF 71924 CE/P4A  
angular contact ball bearings

Bearing No. 71924 CE/P4A



71924 CE/P4A Bearing 2D drawings and 3D CAD models

Size	165x120x22 mm
Bore Diameter	165 mm
Outer Diameter	120 mm
Width	22 mm
d	120 mm
D	165 mm
B	22 mm
d <sub>1</sub>	134 mm
d <sub>2</sub>	130.2 mm
D <sub>1</sub>	151.01 mm
r <sub>1,2</sub> - min.	1.1 mm
r <sub>3,4</sub> - min.	0.6 mm
a	31 mm
d <sub>a</sub> - min.	126 mm
d <sub>b</sub> - min.	123.2 mm
D <sub>a</sub> - max.	159 mm
D <sub>b</sub> - max.	161.8 mm
r <sub>a</sub> - max.	1 mm
r <sub>b</sub> - max.	0.6 mm
d <sub>n</sub>	137.4 mm
Basic dynamic load rating - C	47.5 kN
Basic static load rating - C <sub>0</sub>	40.5 kN
Fatigue load limit - P <sub>u</sub>	1.4 kN
Limiting speed for grease	11200 r/min



## BEARING CORP.OF AMERICA

Lubrication	
Limiting speed for oil lubrication	16000 mm/min
Ball - $D_w$	14.288 mm
Ball - $z$	24
$G_{ref}$	15 cm3
Calculation factor - $f_0$	8.5
Preload class A - $G_A$	250 N
Preload class B - $G_B$	760 N
Preload class C - $G_C$	1530 N
Calculation factor - $f$	1.18
Calculation factor - $f$	1
Calculation factor - $f_{2A}$	1
Calculation factor - $f_{2B}$	1.04
Calculation factor - $f_{2C}$	1.08
Calculation factor - $f_{HC}$	1
Preload class A	82 N/micron
Preload class B	129 N/micron
Preload class C	179 N/micron
$d_1$	134 mm
$d_2$	130.2 mm
$D_1$	151.01 mm
$r_{1,2}$ min.	1.1 mm
$r_{3,4}$ min.	0.6 mm
$d_a$ min.	126 mm
$d_b$ min.	123.2 mm
$D_a$ max.	159 mm
$D_b$ max.	161.8 mm
$r_a$ max.	1 mm
$r_b$ max.	0.6 mm
$d_n$	137.4 mm



## BEARING CORP.OF AMERICA

Basic dynamic load rating C	47.5 kN
Basic static load rating $C_0$	40.5 kN
Fatigue load limit $P_u$	1.4 kN
Attainable speed for grease lubrication	11200 r/min
Attainable speed for oil-air lubrication	16000 r/min
Ball diameter $D_w$	14.288 mm
Number of balls z	24
Reference grease quantity $G_{ref}$	15 cm <sup>3</sup>
Preload class A $G_A$	250 N
Static axial stiffness, preload class A	82 N/ $\mu$ m
Preload class B $G_B$	760 N
Static axial stiffness, preload class B	129 N/ $\mu$ m
Preload class C $G_C$	1530 N
Static axial stiffness, preload class C	179 N/ $\mu$ m
Calculation factor f	1.18
Calculation factor $f_1$	1
Calculation factor $f_{2A}$	1
Calculation factor $f_{2B}$	1.04
Calculation factor $f_{2C}$	1.08
Calculation factor $f_{HC}$	1
Calculation factor $f_0$	8.5
Mass bearing	1.1 kg