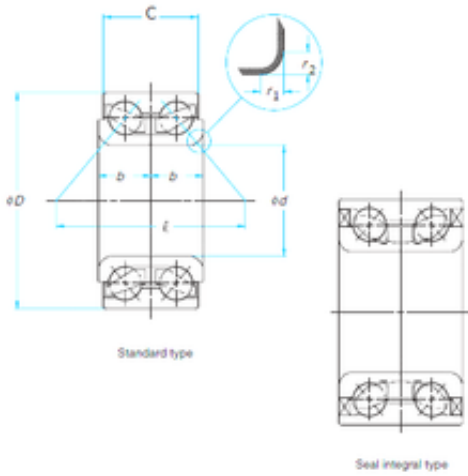




BEARING CORP.OF AMERICA

40 mm x 72 mm x 37 mm ISO DAC40720037
angular contact ball bearings



Bearing No. DAC40720037

Size	40x72x37 mm
Bore Diameter	40 mm
Outer Diameter	72 mm
Width	37 mm
d	40 mm
D	72 mm
B	37 mm
C	37 mm

DAC40720037 Bearing 2D drawings and 3D CAD models