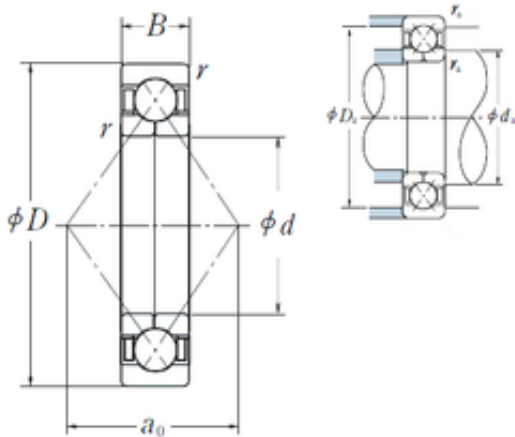




BEARING CORP.OF AMERICA

110 mm x 170 mm x 28 mm NSK QJ 1022
angular contact ball bearings



Bearing No. QJ 1022

Size	110x170x28 mm
Bore Diameter	110 mm
Outer Diameter	170 mm
Width	28 mm
d	110 mm
D	170 mm
B	28 mm
C	28 mm
Angle ()	35 °
a	98 mm
r min.	2 mm
da min.	120 mm
da max	160 mm
ra max.	2 mm
Weight	2,5 Kg
Basic dynamic load rating (C)	139 kN
Basic static load rating (C0)	315 kN
(Grease) Lubrication Speed	2 800 r/min

QJ 1022 Bearing 2D drawings and 3D CAD models