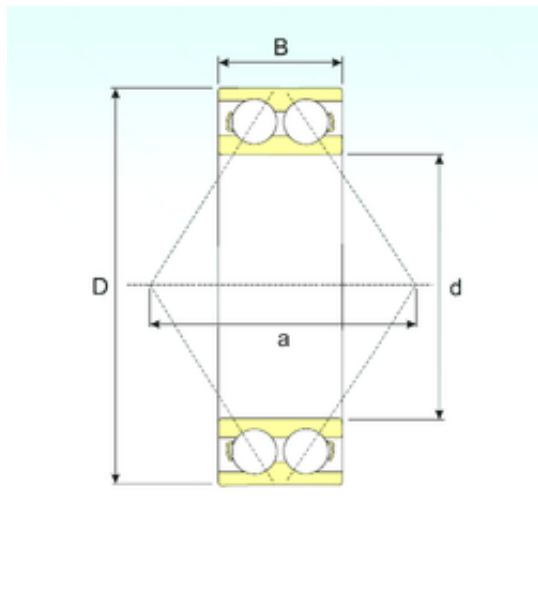




## BEARING CORP.OF AMERICA



45 mm x 85 mm x 30,2 mm CYSD 5209 angular contact ball bearings

Bearing No. 5209

Size	45x85x30.2 mm
Bore Diameter	45 mm
Outer Diameter	85 mm
Width	30,2 mm
d	45 mm
D	85 mm
B	30,2 mm
C	30,2 mm
r min.	1,1 mm
Weight	0,62 Kg
Basic dynamic load rating (C)	49,9 kN
Basic static load rating (C0)	38,4 kN
(Grease) Lubrication Speed	4600 r/min

5209 Bearing 2D drawings and 3D CAD models