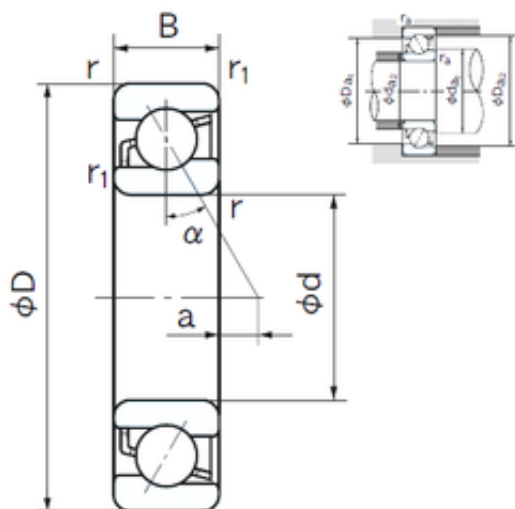




BEARING CORP.OF AMERICA



55 mm x 100 mm x 21 mm NACHI 7211 angular contact ball bearings

Bearing No. 7211

7211 Bearing 2D drawings and 3D CAD models

Size	55x100x21 mm
Bore Diameter	55 mm
Outer Diameter	100 mm
Width	21 mm
d	55 mm
D	100 mm
B	21 mm
C	21 mm
Angle (°)	30 °
a	11.9 mm
r min.	1.5 mm
r1 min.	1 mm
da min.	64 mm
Da max.	91 mm
ra max.	1.5 mm
Weight	0.635 Kg
Basic dynamic load rating (C)	51 kN
Basic static load rating (C0)	39,5 kN
(Grease) Lubrication Speed	6000 r/min
Configuration	Single Row
Enclosure	Open
Bore Type	Cylindrical Bore
Bore Size	55 mm
Outside Diameter	100 mm
Width	21 mm



BEARING CORP.OF AMERICA

Fillet Radius/Chamfer	1.5 mm
r1	1 mm
Dynamic Load Rating	51,000 N
Static Load Rating	39,500 N
Limiting Speed - Grease	6,000 rpm
Limiting Speed - Oil	7,500 rpm
da1 (min)	64 mm
da2 (min)	60 mm
Da1 (max)	91 mm
Da2 (max)	94.6 mm
ra (max)	1.5 mm
ra1 (max)	1 mm