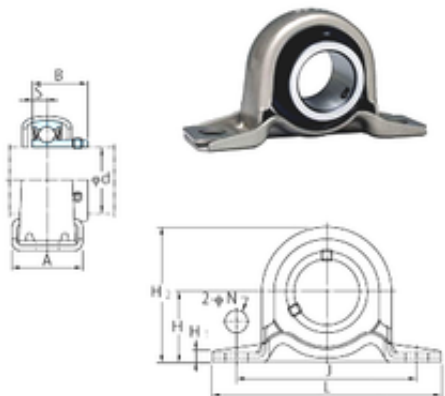




# BEARING CORP.OF AMERICA

## FYH SBPP206 bearing units



Bearing No. SBPP206

Bore Diameter	30 mm
Width	30 mm
d	30 mm
A	38 mm
B	30 mm
H	33,3 mm
H1	4 mm
H2	66,3 mm
J	95 mm
L	117 mm
N	11,5 mm
S	8 mm
Bolt (G)	M10
Weight	0,47 Kg
Basic dynamic load rating (C)	19,5 kN
Basic static load rating (C0)	11,3 kN
Category	Bearings
Inventory	0.0
Manufacturer Name	FYH BEARING UNITS
Minimum Buy Quantity	N/A
Weight / Kilogram	0
Product Group	M06110

SBPP206 Bearing 2D drawings and 3D CAD models