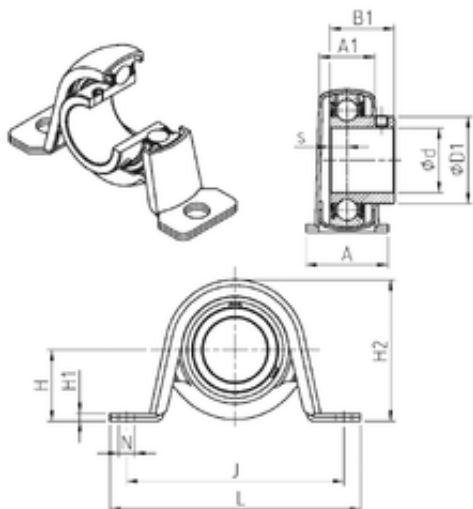




BEARING CORP. OF AMERICA

SNR USPP202 bearing units



Bearing No. USPP202

Bore Diameter	15 mm
d	15 mm
s	6 mm
A	25,4 mm
A1	15,9 mm
B1	22 mm
H	22,2 mm
H1	2,4 mm
H2	43,2 mm
J	68 mm
L	85,7 mm
N	9 mm
Weight	0,2 Kg
Basic dynamic load rating (C)	9,55 kN

USPP202 Bearing 2D drawings and 3D CAD models