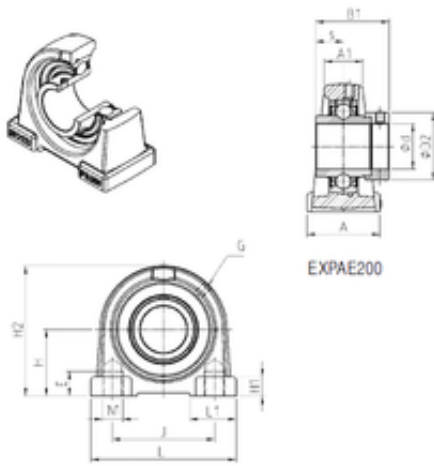




BEARING CORP.OF AMERICA



SNR EXPAE211 bearing units

Bearing No. EXPAE211

Bore Diameter	55 mm
d	55 mm
s	27,7 mm
A	60 mm
A1	35 mm
B1	71,3 mm
D2	76,2 mm
E	20 mm
H	64 mm
H1	16 mm
H2	125 mm
J	118 mm
L	150 mm
L1	32 mm
Thread (G)	R1/8"
Thread (N1)	M16
Weight	3,5 Kg
Basic dynamic load rating (C)	43,55 kN

EXPAE211 Bearing 2D drawings and 3D CAD models