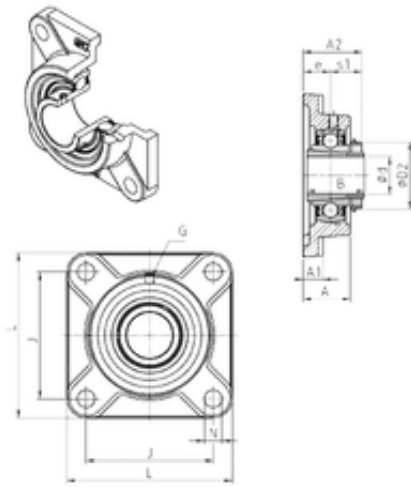




BEARING CORP.OF AMERICA

SNR UKF311H bearing units

Bearing No. UKF311H



UKF311H Bearing 2D drawings and 3D CAD models

Bore Diameter	50 mm
d	50 mm
e	30 mm
s1	34 mm
A	52 mm
A1	20 mm
B	59 mm
D2	75 mm
J	140 mm
L	185 mm
N	23 mm
Thread (G)	M6x1
A2	64 mm
Weight	5,5 Kg
Basic dynamic load rating (C)	71,5 kN