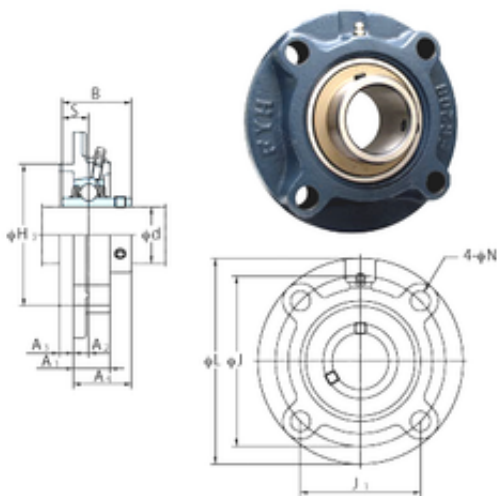




# BEARING CORP.OF AMERICA

## FYH UCFC206-20 bearing units

Bearing No. UCFC206-20



UCFC206-20 Bearing 2D drawings and 3D CAD models

Bore Diameter	31,75 mm
d	31,75 mm
H3	80 mm
A4	32,2 mm
A1	23 mm
B	38,1 mm
J	100 mm
L	125 mm
N	12 mm
S	15,9 mm
Bolt (G)	M10
A2	10 mm
A3	8 mm
J1	70,7 mm
Weight	1,3 Kg
Basic dynamic load rating (C)	19,5 kN
Basic static load rating (C0)	11,3 kN