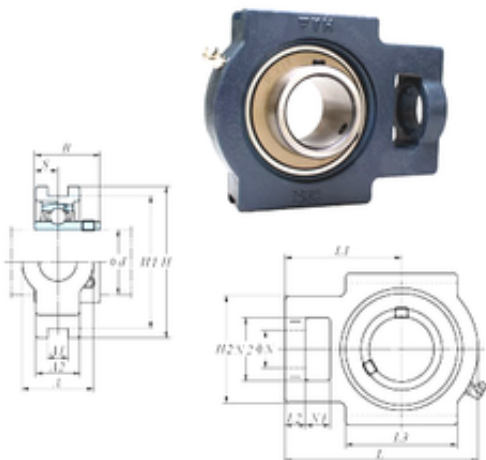




# BEARING CORP.OF AMERICA

## FYH UCT215 bearing units

Bearing No. UCT215



UCT215 Bearing 2D drawings and 3D CAD models

Bore Diameter	75 mm
d	75 mm
L2	21 mm
L3	121 mm
A	70 mm
A1	26 mm
B	77,8 mm
H	167 mm
H1	151 mm
H2	111 mm
L	232 mm
L1	140 mm
N	41 mm
N1	32 mm
S	33,3 mm
A2	48 mm
N2	70 mm
Weight	7,3 Kg
Basic dynamic load rating (C)	67,4 kN
Basic static load rating (C0)	48,3 kN
Category	Mounted Units & Inserts
Inventory	0.0
Manufacturer Name	FYH BEARING UNITS
Minimum Buy Quantity	N/A
Weight / Kilogram	0
Product Group	M06110



# BEARING CORP.OF AMERICA