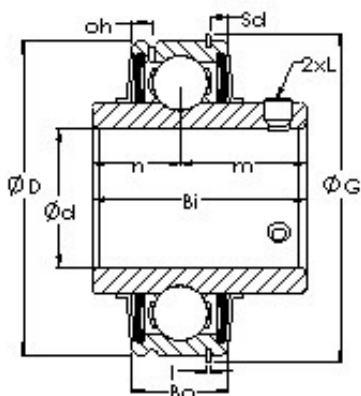




BEARING CORP.OF AMERICA



AST ER206-17 bearing units

Bearing No. ER206-17

Bore Diameter	26,99 mm
Outer Diameter	62 mm
Bearing Type	Inch Size Bore Diameter
Bore Dia (d)	26.9900
Outer Dia (D)	62.0000
Outer Width (Bo)	22.0000
Inner Width (Bi)	38.1000
Dynamic Load Rating (Cr)	19,411
Static Load Rating (Cor)	11,276
Bearing Inner Race Width - Short Side (n)	15.9000
Bearing Inner Race Width - Extended Side (m)	22.2000
Bearing Collar Set Screw (L) - 1/4-28UNF	1/428UNF
Snap Ring Dia. (G)	67.5000
Snap Rinf Location (Sd)	3.2000
Snap Ring Thickness (I)	1.7000
Relubrication Hole Location (oh)	5.5000
Shaft Size (ds) - 1-1/16	11/16
Weight (g)	390.09

ER206-17 Bearing 2D drawings and 3D CAD models