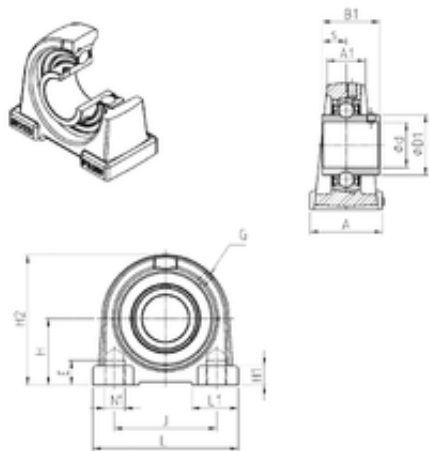




BEARING CORP.OF AMERICA



SNR UCPE210 bearing units

Bearing No. UCPE210

Bore Diameter	50 mm
d	50 mm
s	19 mm
A	54 mm
A1	34 mm
B1	51,6 mm
D1	61,8 mm
E	20 mm
H	57,2 mm
H1	15 mm
H2	115 mm
J	101,6 mm
L	135 mm
L1	33,5 mm
Thread (G)	R1/8"
Thread (N1)	M16
Weight	2,5 Kg
Basic dynamic load rating (C)	35,1 kN

UCPE210 Bearing 2D drawings and 3D CAD models