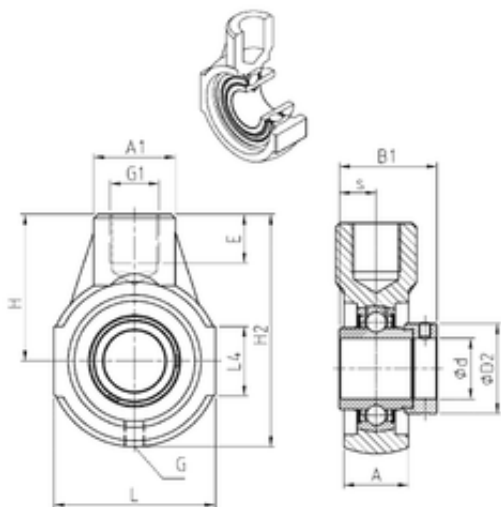




BEARING CORP.OF AMERICA

SNR EXEHE210 bearing units

Bearing No. EXEHE210



EXEHE210 Bearing 2D drawings and 3D CAD models

| | |
|-------------------------------|---------|
| Bore Diameter | 50 mm |
| d | 50 mm |
| L4 | 46 mm |
| s | 24,6 mm |
| A | 40 mm |
| A1 | 40 mm |
| B1 | 62,7 mm |
| D2 | 69,9 mm |
| E | 24 mm |
| G1 | M24 mm |
| H | 90 mm |
| H2 | 145 mm |
| L | 110 mm |
| Thread (G) | R1/8" |
| Weight | 2,2 Kg |
| Basic dynamic load rating (C) | 35,1 kN |
| A2 | 40 mm |
| B | 49.2 mm |
| A5 | 24.6 mm |
| d1 | 67.2 mm |
| G | R1/8" |
| L1 | 90 mm |
| L3 | 46 mm |
| s1 | 42.9 mm |
| S | 24.6 mm |
| SW | 4 mm |



BEARING CORP.OF AMERICA

| | |
|---|---------|
| C | 35.1 kN |
| C0 | 23.2 kN |
| T min. | -20 ° C |
| T max. | 100 ° C |
| Recommended tightening torque for set screw | 11.5 Nm |
| Designation of housing | EHE210- |
| Designation of bearing | EX210G2 |