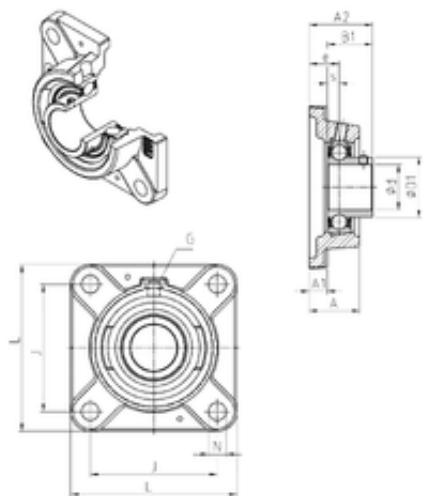




BEARING CORP.OF AMERICA



SNR USFE211 bearing units

Bearing No. USFE211

Bore Diameter	55 mm
d	55 mm
e	31 mm
s	11,8 mm
A	48,5 mm
A1	15 mm
B1	45,3 mm
D1	69 mm
J	130 mm
L	162 mm
N	18 mm
Thread (G)	R1/8"
A2	64,5 mm
Weight	3,6 Kg
Basic dynamic load rating (C)	43,55 kN

USFE211 Bearing 2D drawings and 3D CAD models