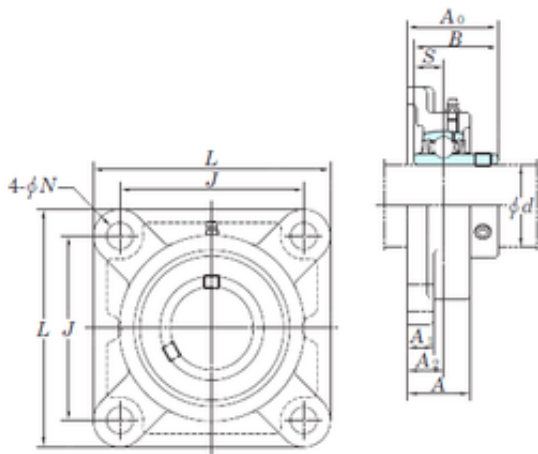




# BEARING CORP.OF AMERICA

## KOYO UCF321 bearing units



Bearing No. UCF321

|                               |         |
|-------------------------------|---------|
| Bore Diameter                 | 105 mm  |
| d                             | 105 mm  |
| A0                            | 127 mm  |
| A                             | 94 mm   |
| A1                            | 32 mm   |
| B                             | 112 mm  |
| J                             | 242 mm  |
| L                             | 310 mm  |
| N                             | 38 mm   |
| S                             | 44 mm   |
| Bolt (G)                      | M33     |
| A2                            | 59 mm   |
| Weight                        | 30,2 Kg |
| Basic dynamic load rating (C) | 184 kN  |
| Basic static load rating (C0) | 153 kN  |
| Bearing No.                   | UCF321  |
| Bolt size                     | M33     |
| Cr                            | 184     |
| C0r                           | 153     |
| f0                            | 13.2    |
| (Refer.)Unit mass(kg)         | 30.2    |
| Nipple size                   | R1/8    |

UCF321 Bearing 2D drawings and 3D CAD models