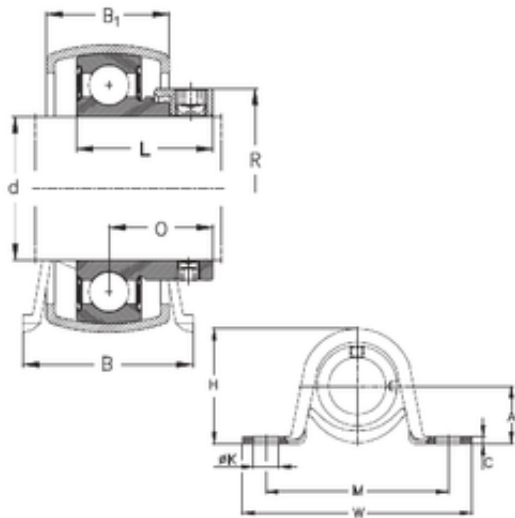




BEARING CORP.OF AMERICA



NKE PB17 bearing units

Bearing No. PB17

Bore Diameter	17 mm
Width	25,4 mm
d	17 mm
O	22,1 mm
A	22,2 mm
B	25,4 mm
B1	18,4 mm
C	2,6 mm
H	43,2 mm
K	9,5 mm
L	28,6 mm
M	68 mm
R	28 mm
W	85,7 mm

PB17 Bearing 2D drawings and 3D CAD models