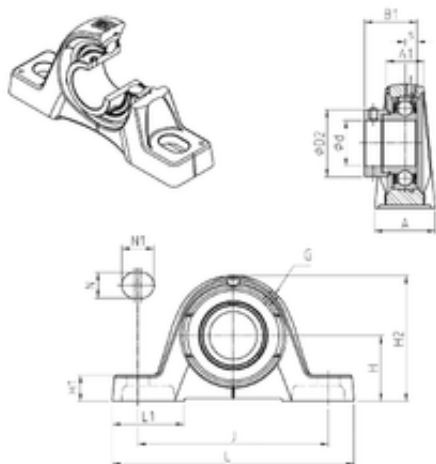




# BEARING CORP.OF AMERICA

## SNR ESPE211 bearing units



Bearing No. ESPE211

Bore Diameter	55 mm
d	55 mm
s	12 mm
A	60 mm
A1	35 mm
B1	48,4 mm
D2	76,2 mm
H	63,5 mm
H1	22,5 mm
H2	124,5 mm
J	176 mm
L	222 mm
L1	68 mm
N	18 mm
N1	30 mm
Thread (G)	R1/8"
Weight	3,2 Kg
Basic dynamic load rating (C)	43,55 kN

ESPE211 Bearing 2D drawings and 3D CAD models