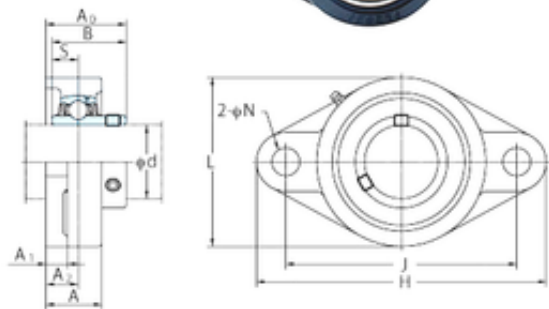




BEARING CORP.OF AMERICA

FYH UCFL307 bearing units

Bearing No. UCFL307



UCFL307 Bearing 2D drawings and 3D CAD models

Bore Diameter	35 mm
d	35 mm
A0	49 mm
A	36 mm
A1	16 mm
B	48 mm
H	185 mm
J	141 mm
L	100 mm
N	23 mm
S	19 mm
Bolt (G)	13,2
Bolt (G)	M20
A2	20 mm
Weight	1,8 Kg
Basic static load rating (C0)	33,4 kN