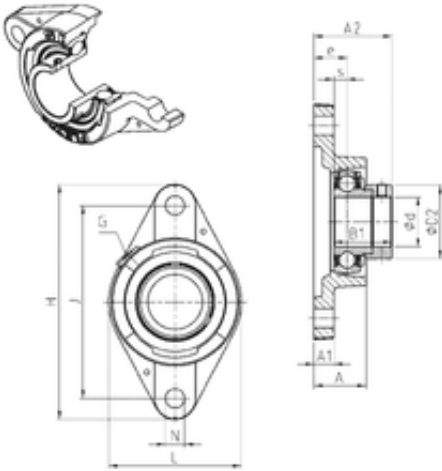




BEARING CORP.OF AMERICA



SNR ESFLE205 bearing units

Bearing No. ESFLE205

Bore Diameter	25 mm
d	25 mm
e	19 mm
s	7,5 mm
A	29,3 mm
A1	11 mm
B1	30,9 mm
D2	38,1 mm
H	124 mm
J	99 mm
L	70 mm
N	11,5 mm
Thread (G)	R1/8"
A2	42,4 mm
Weight	0,6 Kg
Basic dynamic load rating (C)	14 kN

ESFLE205 Bearing 2D drawings and 3D CAD models