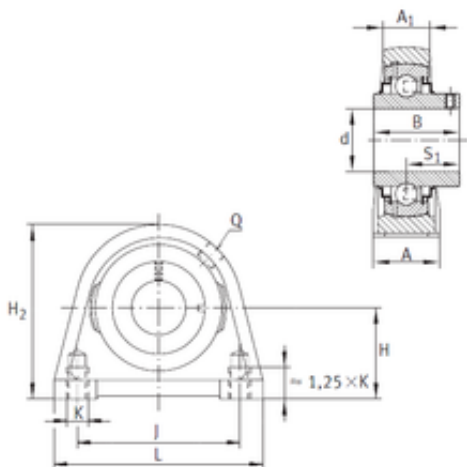




BEARING CORP.OF AMERICA

INA RSHEY17 bearing units

Bearing No. RSHEY17



RSHEY17 Bearing 2D drawings and 3D CAD models

| | |
|-------------------------------|------------------|
| Bore Diameter | 17 mm |
| d | 17 mm |
| Thread (Q) | M6 |
| Thread (K) | M8 |
| A | 30 mm |
| A1 | 18 mm |
| B | 27,4 mm |
| H | 30,2 mm |
| H2 | 57 mm |
| J | 47 mm |
| L | 63 mm |
| S | 15,9 mm |
| Weight | 0,41 Kg |
| Basic dynamic load rating (C) | 9,8 kN |
| Category | Bearings |
| Inventory | 0.0 |
| Manufacturer Name | SCHAEFFLER GROUP |
| Minimum Buy Quantity | N/A |
| Weight / Kilogram | 0.41 |
| Product Group | M06110 |