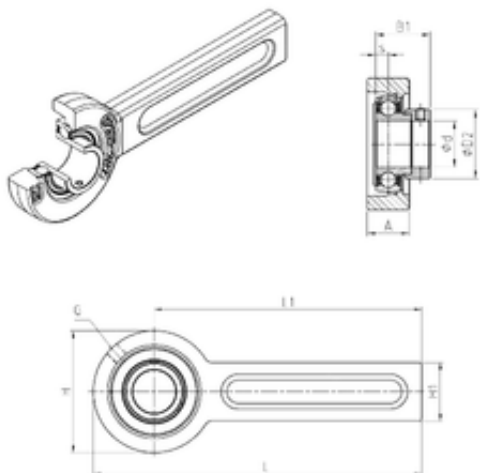




BEARING CORP.OF AMERICA

SNR ESSP210 bearing units



Bearing No. ESSP210

Bore Diameter	50 mm
d	50 mm
s	11 mm
A	31 mm
B1	43,7 mm
D2	69,9 mm
H	120 mm
H1	61 mm
L	320 mm
L1	260 mm
Thread (G)	R1/8"
Weight	4,2 Kg
Basic dynamic load rating (C)	35,1 kN
B	30.2 mm
A5	19.2 mm
d1	67.2 mm
G	R1/8"
H2	61 mm
s1	33.4 mm
S	11 mm
SW	4 mm
C	35.1 kN
C0	23.2 kN
T min.	-20 ° C
T max.	100 ° C
Recommended tightening	11.5 Nm

ESSP210 Bearing 2D drawings and 3D CAD models



BEARING CORP.OF AMERICA

torque for set screw	
Designation of housing	SP208-210/90-
Designation of bearing	ES210G2