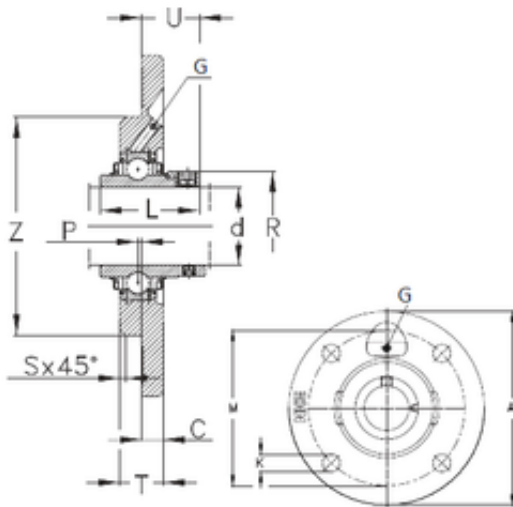




# BEARING CORP.OF AMERICA



## NKE RME55 bearing units

Bearing No. RME55

Bore Diameter	55 mm
d	55 mm
P	0 mm
U	43,6 mm
K	18 mm
Z	125 mm
A	185 mm
C	15 mm
L	71,4 mm
M	150 mm
R	76 mm
S	3 mm
T	27,5 mm
Thread (G)	M6

RME55 Bearing 2D drawings and 3D CAD models